

...for best  
measuring results

**ROYAL** *Variset*  
Tool Management Systems

**PWB+**

# TOOL MASTER LITE



Tool Master Lite is a simple and user-friendly  
presetter for measuring wood, metal and glass.

- precise
- reliable
- sustainable

evaset

## PROFESSIONAL EQUIPMENT

### TECHNICAL DATA

Location in production	Workbench
Measuring range	250 / 0 ....300
Axis fixation	Mechanics
Fine adjustment	In the X-axis
Tool mounting	Needle bearing SK 50
Measuring method	Measuring probe
Dimensions	420 x 150 x 590 mm / 23 kg
Power supply	Battery (type AA)

### YOUR BENEFITS

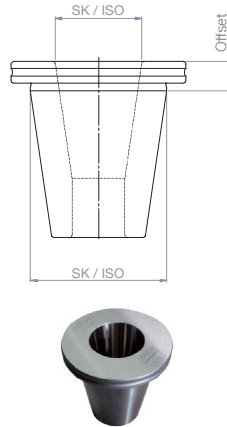
- Cost-effective solution
- Measuring of all types of tools
- No connection to electric mains and to compressed air
- Needle bearing can be used for all reductions
- Easy-to-use digital display per axis
- High concentricity thanks to needle bearing
- Maximum measuring repeatability



## ACCESSORIES

### SK

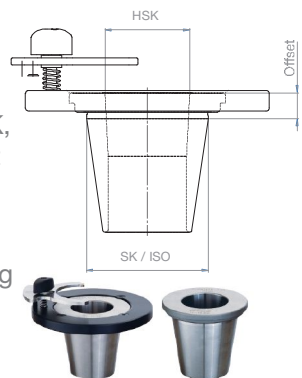
- Reduction SK/ISO to SK/ISO  
In-house calibration ensures consistent quality
- Offset value is engraved on the reduction according to the following table



Internal shape	Offset value (Z)	
	External shape	
	SK50 / ISO50	SK40 / ISO40
SK10	30 mm	30 mm
SK15	30 mm	30 mm
SK20	15 mm	15 mm
SK25	15 mm	15 mm
SK30	15 mm	15 mm
SK35	15 mm	15 mm
SK40	15 mm	-
SK45	15 mm	-

### HSK (shapes A to F)

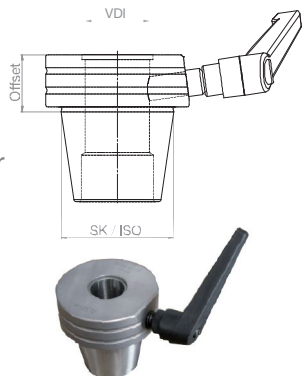
- Reduction SK/ISO to HSK, available with and without clamping attachment
- Offset value is engraved on the reduction according to the following table



Internal shape	Offset value (Z)	
	External shape	
	SK50 / ISO50	SK40 / ISO40
HSK-A25	15 mm	15 mm
HSK-A32	15 mm	15 mm
HSK-A40	15 mm	15 mm
HSK-A50	15 mm	15 mm
HSK-A63	15 mm	60 mm
HSK-A80	52 mm	-
HSK-A100	70 mm	-

### VDI with clamp lever

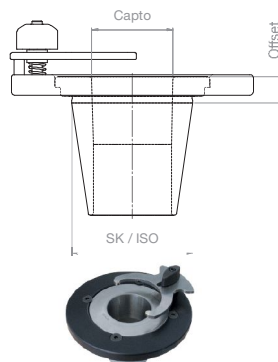
- Clamping of the VDI tool holder with clamping lever
- Clearance provided in the reduction for O-ring of the VDI shank



Internal shape	Offset value (Z)	
	External shape	
	SK50 / ISO50	SK40 / ISO40
VDI16	50 mm	50 mm
VDI20	35 mm	35 mm
VDI25	35 mm	35 mm
VDI30	35 mm	35 mm
VDI40	35 mm	70 mm
VDI50	35 mm	90 mm
VDI60	100 mm	-

### Capto ,easy'

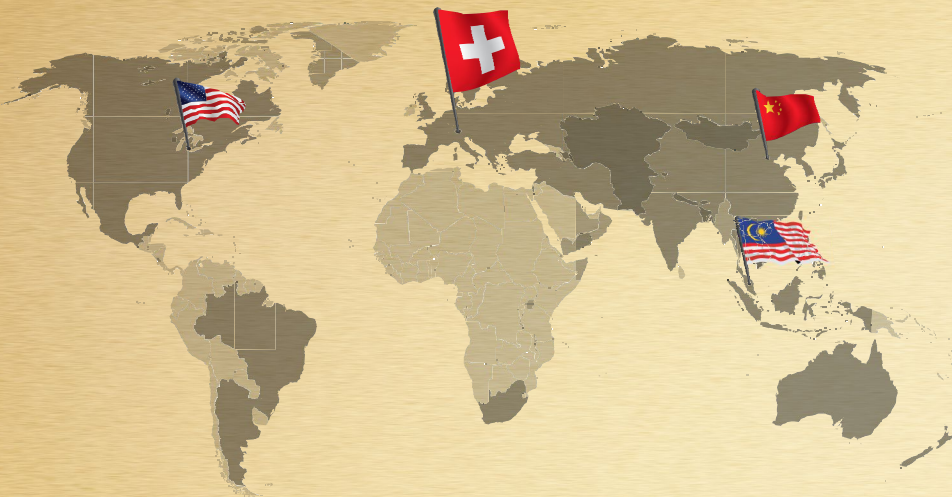
- Capto tool holder is centred using the 3 highest points of the polygon in the reduction, fixed with clamping claw







Internal shape	Offset value (Z)	
	External shape	
	SK50 / ISO50	SK40 / ISO40
C3	15 mm	-
C4	15 mm	-
C5	15 mm	-
C6	15 mm	-
C8	52 mm	-
C10	80 mm	-

## ONE SOURCE SOLUTION

THE SERVICE LEVEL YOU NEED



-  Steg / Zurich  
Headquarter and production facility
-  Service & technical office
-  Service & technical office
-  Service & technical office

In addition to our strong product development, planning and production, we offer our customers an experienced and professional worldwide service.

Our high qualified technical team will accompany you from planning to commissioning.

Thanks to our online-maintenance, we guarantee expert problem diagnosis, fast spare parts delivery of all repairs and maintenance issues.

evoset

EvoSet AG  
 Besche Mattenstrasse 1  
 3940 Steg | Switzerland  
 Fon +41 27 922 04 50  
 info@evoset.com  
 www.evoset.com

Distributor



## Royal Tool Control Ltd.

1 Amberley Court.  
 Bold Street,  
 Sheffield S9 2LQ  
 +44 (0)114 2441411  
 sales@royaltool.co.uk  
 www.royaltool.co.uk

