

# ROYAL

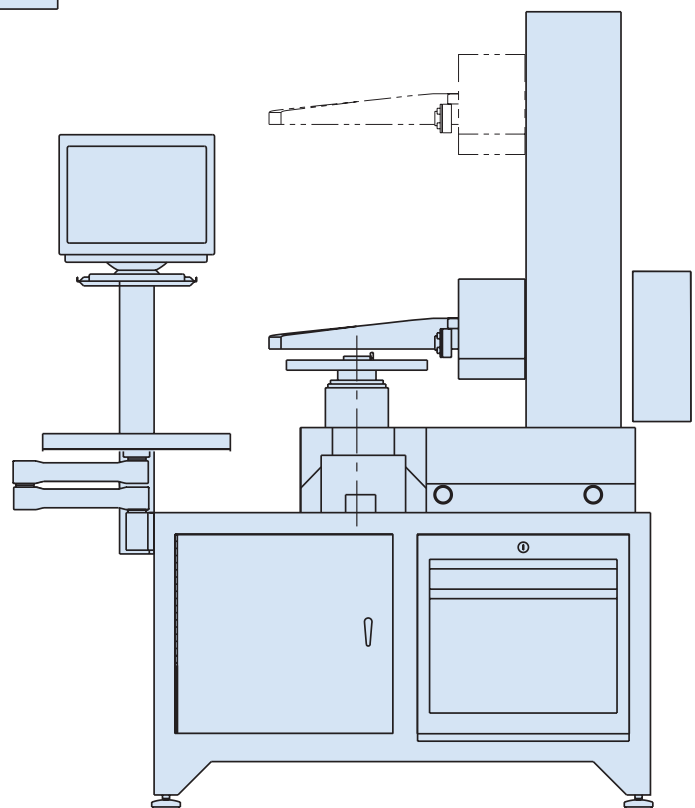
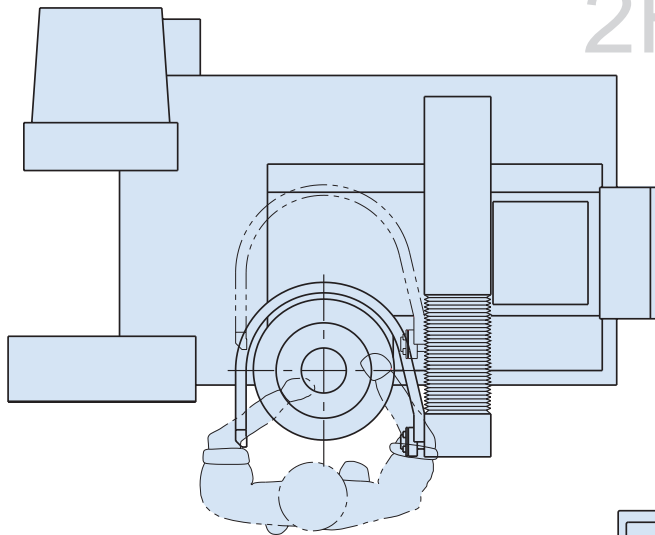
Tool Measurement Systems

## *Variset* - ERGO

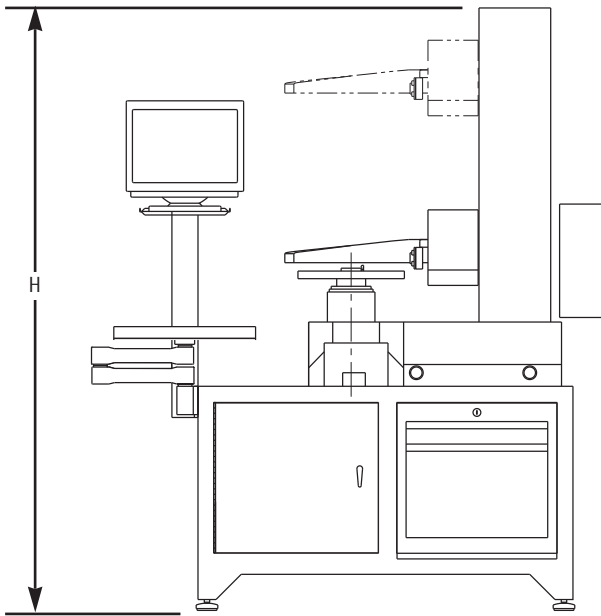
2FVP 420/190

2FVP 620/190

2FVP 1000/190



TECHNICAL DATA	MODEL: 2FVP 420/190	MODEL: 2FVP 620/190	MODEL: 2FVP 1000/190
TOOL LENGTH MAX.	420mm	620mm	1000mm
TOOL DIAMETER MAX.	380mm	380mm	380mm
OPERATION	MOTORIZED	MOTORIZED	MOTORIZED
MECHANICAL ACCURACY	8µm VERT. 5µm HORIZ.	8µm VERT. 5µm HORIZ.	12µm VERT. 5µm HORIZ.
"H" HEIGHT	1902mm	2102mm	2482mm

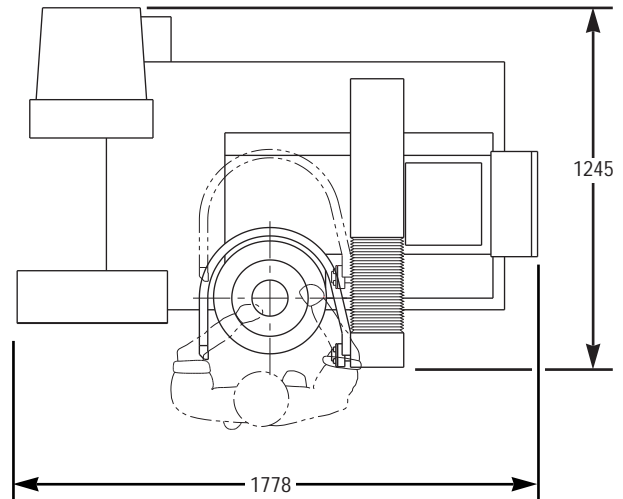


## Standard Features:

- Front working design reduces operator fatigue and increases throughput
- Heavy duty construction
  - Suitable for factory environment
  - Heavily ribbed cast iron base for structural integrity
  - Precision pre-loaded roller vee slides
  - Precision roller bearing ISO 50 spindle with non-deforming brake
  - Backlash-free linear drive nuts
- Linear encoders for precision closed-loop positioning
- Access for rear adjust tooling
- High resolution vision system using high quality lens, camera, lighting, and video capture card
- Royal Variset III vision software to provide measurement, tool management, and communications
- Gauge travels are laser inspected and error compensated
- Final inspection includes a system R&R to AIAG guidelines

## Options:

- Tooling adapters - standard and special
- Gauge bench with built-in storage
- Fully enclosed Variset cabinet - also available with access for over head loading of large tools
- Multi-position table with dedicated bushings for length only tool setting
- Ergonomic mechanism to accommodate rear adjust tooling - uses interchangeable bits
- Retention knob clamping using interchangeable cartridges
- Alternative spindle configurations: ISO tapered shank, HSK, ABS, and others
- Indicator attachments for horizontal or vertical contact gauging
- Microscope assembly for block tooling center height adjustments
- WR-750 index table for multiple dedicated tooling positions
- Printers for labels or reports
- Communication with various networks, machine controls, etc.



**Royal Design & Manufacturing, Inc.**  
32401 Stephenson Highway  
Madison Heights, MI 48071-1093  
U.S.A.  
Telephone: (248) 588-0110  
Fax: (248) 588-5930

**Royal Tool Control Ltd.**  
Handsworth Road  
Sheffield S13 9bl  
England  
Telephone: 0114 244 1411  
Fax: 014 243 2247